



gibson
interior products

**COVID-19
Screens Solutions**

WHO IS GIBSON INTERIOR PRODUCTS?

- Four- generation family owned independent manufacturer's representative group
- Specialize in furnishing all vertical markets with assortments from furnishings, fabric, lighting, and accessories
- Offer a one-stop shop solution

WHERE IS GIBSON SHOWROOM LOCATED?

- 1239 Broadway, NY,NY (Nomad) with a 11,500 sq. ft showroom

Contact:

Your representative and/or info@gibsonoffice.com



COVID-19
Screens Solutions

COVID-19 Screens Solutions

Manufacturers

Barbican
Claridge
Compel
Enwork
Formaspace
Intensa

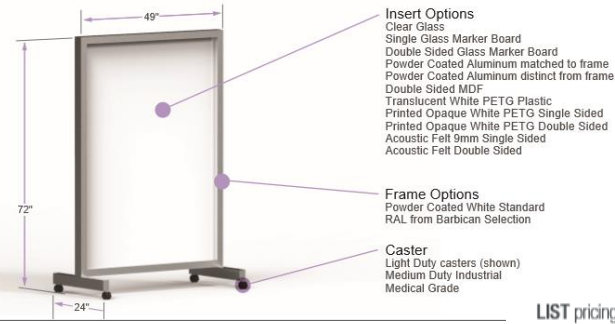
<https://barbican.ca/health/screenguard>



This New Division at Barbican continues to add innovative products with a vast range of finish options and custom capabilities. The utilization of our **PETG material (.116" thick)** allows for a washable and wipe able surface that will not discolour or deteriorate with the use of healthcare standard cleaners such as Virox, Windex or other antibacterial solutions. Our products are manufactured to withstand the demands of today's healthcare environments.

This is NOT plastic or plexiglass that some companies are promoting as short term, throw away solutions. Barbican Guards are manufactured for permanent and long-term applications providing the versatility of being able to easily move or reconfigure these products quickly and easily.

<https://barbican.ca/health/protectiveguard>



- Insert Options**
- Clear Glass
 - Single Glass Marker Board
 - Double Sided Glass Marker Board
 - Powder Coated Aluminum matched to frame
 - Powder Coated Aluminum distinct from frame
 - Double Sided MDF
 - Translucent White PETG Plastic
 - Printed Opaque White PETG Single Sided
 - Printed Opaque White PETG Double Sided
 - Acoustic Felt 9mm Single Sided
 - Acoustic Felt Double Sided

- Frame Options**
- Powder Coated White Standard
 - RAL from Barbican Selection

- Caster**
- Light Duty casters (shown)
 - Medium Duty Industrial
 - Medical Grade

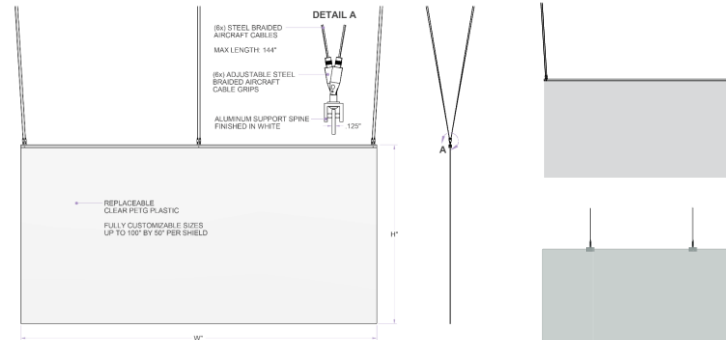
LIST pricing shown in USD. Ships fully assembled. Crate + Freight extra.



- FRAME**
- Base Frame with standard casters and RAL Paint **\$1090.00**
- + INSERTS**
- 1/8" Translucent White HTO PETG **\$470.00**
 - Laminated Glass **\$TBD.00**
 - Glass Double Sided Marker Board any color **\$1620.00**
 - Particle Board White Melamine open edges in the frames **\$320.00**
 - Particle Board White with sealed edges **\$500.00**
 - Aluminum Powder Coated to match the frame **\$704.00**
 - Aluminum Powder Coated with different colour from the frame **\$800.00**

- > CASTERS**
- Medical Grade Locking/Swivel Casters Upgrade (Set of 4) **ADD \$180.00**

Discount 10% for quantities of 50+



PRICING

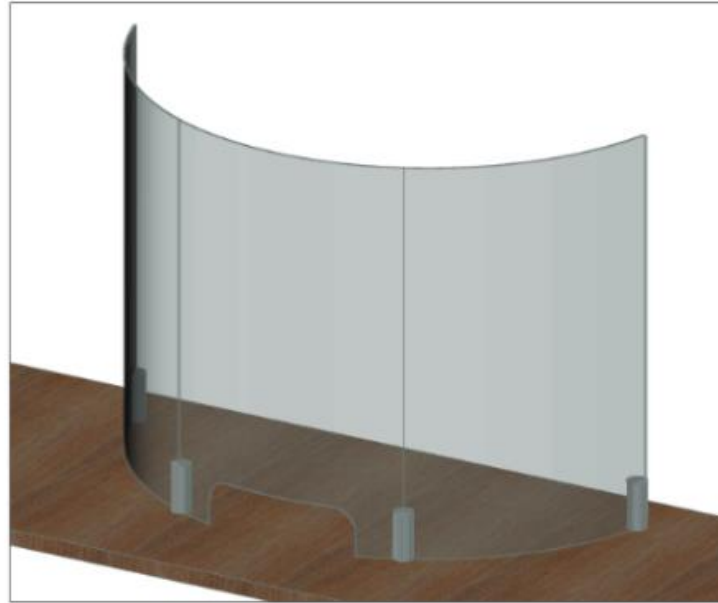
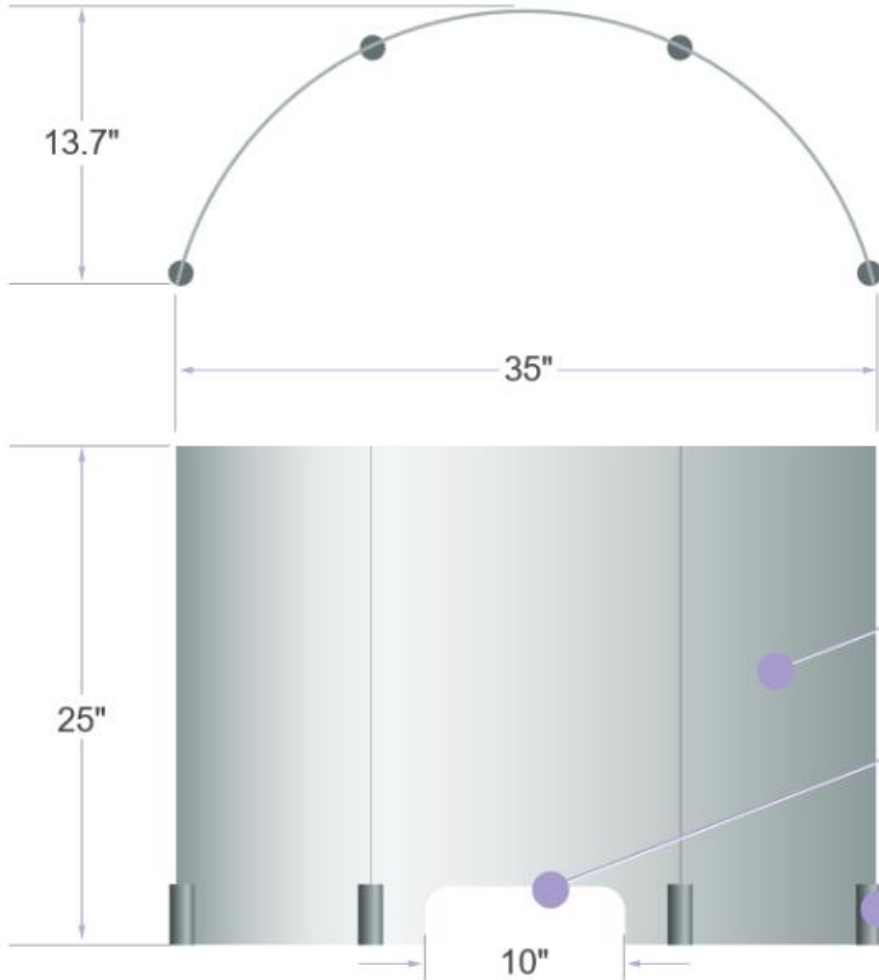
LIST pricing shown in USD. Freight extra.

Protective Guard with Spine and 4 Cables

Width	Height	Price ea	4+	10+
49.5	24	\$720.00	\$620.00	\$570.00
24	49.5	\$720.00	\$620.00	\$570.00
24	24	\$600.00	\$520.00	\$480.00
33	50	\$780.00	\$720.00	\$680.00
50	33	\$780.00	\$720.00	\$680.00

Protective Guard without Spine with 2 cables

Width	Height	Price ea	4+	10+
49.5	24	\$450.00	\$410.00	\$390.00
24	49.5	\$450.00	\$410.00	\$390.00
24	24	\$360.00	\$320.00	\$280.00
33	49.5	\$520.00	\$484.00	\$444.00
49.5	33	\$520.00	\$484.00	\$444.00



List Price:

With Cut Out (4 mounting feet) \$530.00ea List

Without Cut Out (3 mounting feet) \$490.00ea List

Clear .6mm PETG shield

Optional cutout.
Advise dimensions at time of quotation

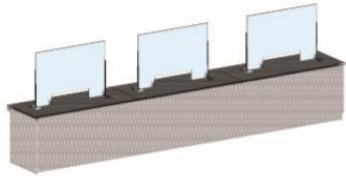
Painted Aluminum Supports.
With #10 Screw Mount or Temporary Adhesive

Design and concepts expressed within this drawing or accompanying documents are the sole property of Barbican Architectural Products and may not be used, copied, reproduced or manufactured without the written permission of Barbican Architectural Products

Transaction Top Screens

Size	In-Stock Materials			Made-to-Order		
	PET Felt: 1"	Laminate .75"	Acrylic	Vinyl	Polyurethane	Silicone
36" x 36"	\$624	\$767	\$806	\$622	\$712	\$802
36" x 48"	\$715	\$905	\$957	\$712	\$832	\$952
48" x 36"	\$715	\$905	\$957	\$712	\$832	\$952
48" x 48"	\$836	\$1,089	\$1,158	\$832	\$992	\$1,152

*Costs includes screen and 2 Transaction Top Brackets with Foot Plate.



Transaction Top Brackets

A freestanding version of our upright screen brackets, our transaction top brackets feature a steel footplate that allows for zero attachment points. Simply set it on the surface and move as needed. The bracket channel accepts all the same materials as our upright screen brackets, but is 36" tall to securely accommodate higher screens.

Hilo Hub - Screen Only

Size	In-Stock Materials			Made-to-Order		
	PET Felt: 1"	Laminate .75"	Acrylic	Vinyl	Polyurethane	Silicone
34" x 48"	\$363	\$553	\$605	\$360	\$480	\$600
34" x 60"	\$454	\$691	\$756	\$450	\$600	\$750
34" x 72"	\$544	\$829	\$907	\$540	\$720	\$900

*Pricing is for screen only. For full Hilo Hub pricing, please see Compel pricer.

HiLo Hub

Compel's HiLo Hub not only provides power and data distribution to Hilo Benching, but also provides full space division with its expansive screens. Available in 48", 60" and 72" widths, the HiLo Hub accommodates screen heights up to 60" from the floor. Available in both National and Chicago Code power.



Territory Screens

Size	In-Stock Materials		Made-to-Order			
	PET Felt: 1"	Laminate .75"	Acrylic	Vinyl	Polyurethane	Silicone
52" x 48"	\$1,495	\$1,826	\$2,141	\$1,808	\$1,808	\$2,128

*Costs includes screen and Territory Screen Frame.



Size of territory screens can be customized based on the size requirements of your space.

Territory Screen

For space division that goes beyond the worksurface, Compel's Territory Screen is the answer. Extending 30" out from the worksurface, it provides privacy and protection to the user where they sit. The inverted L-shaped screen is 54" high from the floor and slides over the worksurface with no attachment points. This freestanding structure allows for flexibility now and in the future.

*All mounting brackets and frames are available in Black, White and Silver to complement Compel's Pivot Metal Legs, HiLo Bases and Mobile BFF.



\$1,200 list 48w x 72h or (2) 24w x 72h

(we are trying to stick w/48" w increments- we have parts/materials readily available for it)

Include Free freight for (4) or more 48" w units or (8) or more 24" w units

Size
48"W x 72"H

LCS³ Porcelain® Color



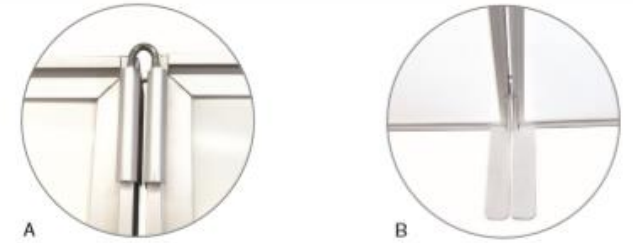
White

Features and Benefits

- Scratch, fire, bacteria and chemical resistant
- Super smooth writing surface, great color contrast, erases easily
- Safe and clean: Cradle to Cradle Certified™ Bronze, 99.9% recyclable
- GREENGUARD Certified, emits no VOCs
- Magnet receptive surface
- Defies aggressive and polluted environments
- Withstands healthcare's toughest cleaning products

Warranty

- Lifetime Writing Surface Warranty



Bacteria Resistant



Chemical Resistant



Fire Resistant



Graffiti Resistant



Scratch Resistant



Stain Resistant

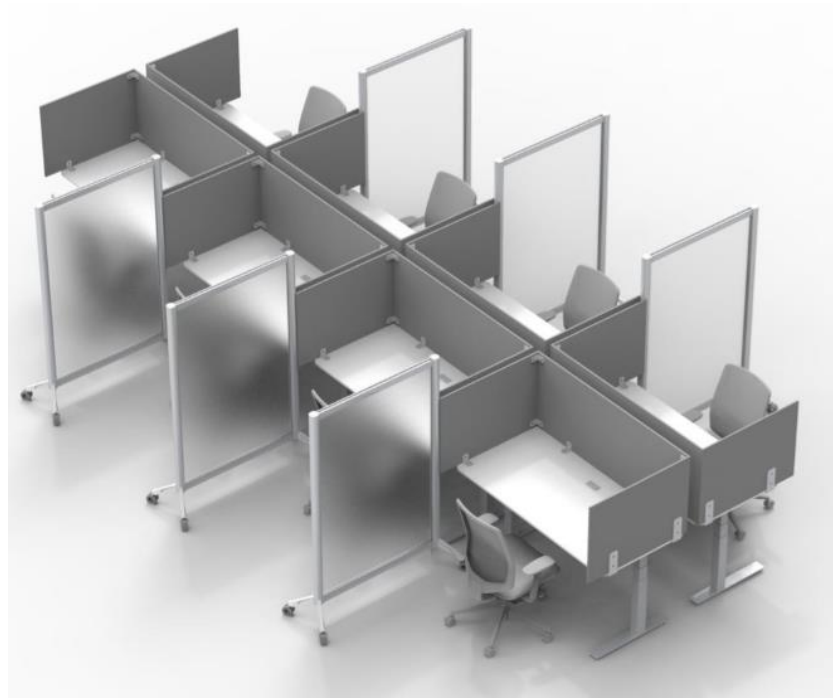
Product Highlights

- Panels are lightweight and easy to position
- Satin anodized aluminum framed panels connect in a straight line or at 90-degree angles
- Claridge LCS³ Porcelain enamel steel surface on both sides provide writable and magnetic receptive surfaces for patient information
- Honeycomb core for lightweight handling and durable rigid panels
- Low profile feet with floor glides

ENWORK | Zori Free Standing Screens

53" and 64" heights.
30", 48", 60" and 72" widths.

Full Acrylic, Acrylic/Laminate, Full Acoustic,
Acoustic/Laminate infill panels

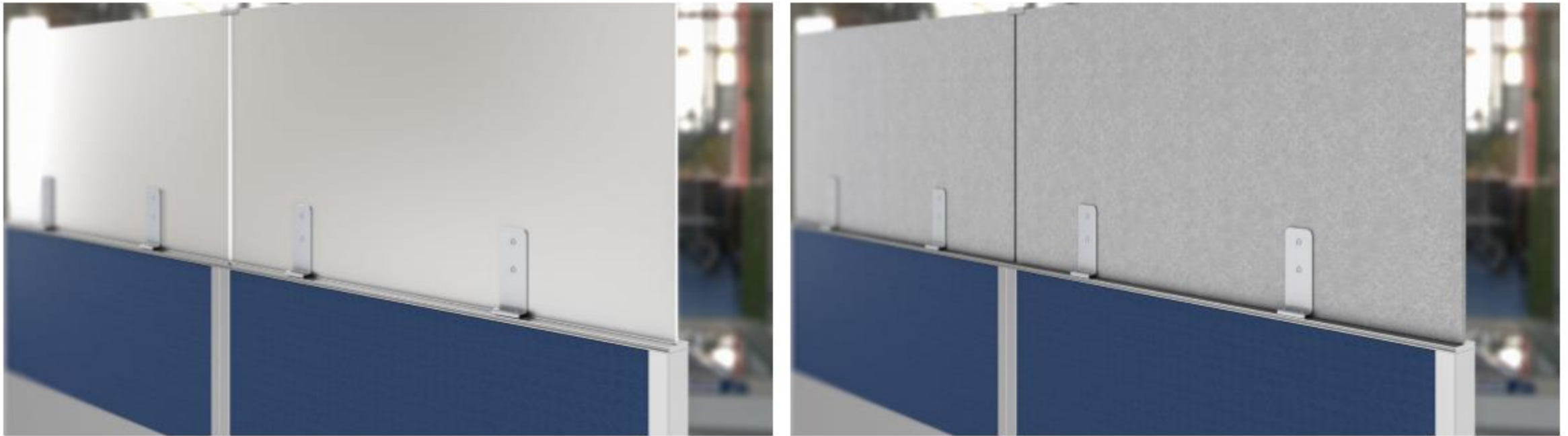


ENWORK | Skyline Screens

Acrylic Screen with magnetic brackets for easy retrofit.

Also available in acoustic material.

16" and 24" heights available.





- Made from clear 1/4" thick acrylic
- Aluminum frame and legs
- 22 different leg & frame finishes available
- Easy to clean & sanitize
- Lightweight
- Standard pass-through slot (extra for additional cuts)
- Easy to install and remove (no damage to the work surface)
- Custom sizes & materials available upon request

Freight is \$60 for a box of (3) units, sent via Fed EX anywhere in the US

Screen size	Qty <= 25	QTY 26 to 50	Qty 51 to 100	Qty > 100
36" W x 24" H	\$504.00	\$427.00	\$406.00	\$385.00
36" W x 30" H	\$618.00	\$521.00	\$495.00	\$471.00
36" W x 36" H	\$688.00	\$573.00	\$544.00	\$517.00

Screen size	Qty <= 25	QTY 26 to 50	Qty 51 to 100	Qty > 100
42" W x 24" H	\$547.00	\$461.00	\$438.00	\$416.00
42" W x 30" H	\$676.00	\$564.00	\$536.00	\$509.00
42" W x 36" H	\$759.00	\$624.00	\$593.00	\$563.00

Screen size	Qty <= 25	QTY 26 to 50	Qty 51 to 100	Qty > 100
48" W x 24" H	\$598.00	\$495.00	\$453.00	\$430.00
48" W x 30" H	\$756.00	\$624.00	\$593.00	\$563.00
48" W x 36" H	\$829.00	\$657.00	\$641.00	\$609.00

Counter Sneeze Guard L



Counter Sneeze Guard XL



Counter Sneeze Guard XXL



AVAILABLE LEG & FRAME FINISHES



Textured White
WH120



Textured Black
BK59



Gloss Black
BK266



Gloss White
WH11



Pastel Green
RAL 6019



Fern
RAL6025



Pastel Blue
RAL 5024



Salmon Orange
Ral 2012



Pearl White
RAL1013



Satin Nickel
HM512514



Burgundy
HS212R7



Navy
HS212B518



Sage
RAL6021



Turquoise
RAL6027



Beige Gray
RAL1019



Melon
RAL1028



Golden Hour
RAL1018



Silver Gray
RAL7001



Violet
RAL4008



Mauve
RAL4009



Rose
RAL3015



Rust
RAL8023



Divider Screens



Lead time: 2-1/2 weeks, plus transit

<https://www.intensa.net/> (main site)

- Model# IN-DP6060 (Panel is 60"w x 60"h)
- ship in below finishes
 - Hardrock Maple
 - Baroque (attached) enough to run 200 panels in stock
 - White
 - Black
- The frame is stainless with a TFL finish panel

Quantity	List
20	\$2,158.00
100	\$1,704.00
200+	\$1,479.00

DESKTOP DIVIDER SCREENS

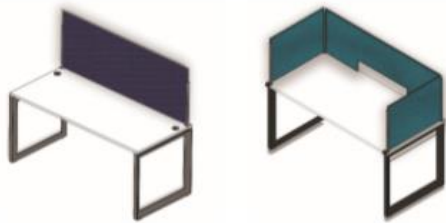
Manufacturers

Compel
Enwork
Formaspace
Logiflex
Artopex
OFD.IT

Upright Screens

Size	In-Stock Materials			Made-to-Order		
	PET Felt: 1"	Laminate .75"	Acrylic	Vinyl	Polyurethane	Silicone
24" x 24"	\$271	\$334	\$352	\$270	\$310	\$350
24" x 30"	\$331	\$426	\$452	\$330	\$390	\$450
24" x 48"	\$392	\$519	\$553	\$390	\$470	\$550
24" x 60"	\$452	\$610	\$654	\$450	\$550	\$650
24" x 72"	\$512	\$703	\$755	\$510	\$630	\$750

*Add \$75 for single bracket and \$100 for corner bracket.



Upright Screen Brackets

Our collection of upright screen brackets attach to the underside of the worksurface, leaving the top of your workstation open and undamaged. They accommodate both 1" and 1 1/8" thick worksurfaces and a wide variety of screen materials and thicknesses, from .354 Acrylic up to 1" PET Felt.

Universal Clamp Screens

Size	In-Stock Materials			Made-to-Order		
	PET Felt: 1"	Laminate .75"	Acrylic	Vinyl	Polyurethane	Silicone
34" x 48"	\$423	\$613	\$665	\$420	\$540	\$660
34" x 60"	\$514	\$751	\$816	\$510	\$660	\$810
34" x 72"	\$604	\$889	\$967	\$600	\$780	\$960

*Costs includes screen and 2 Universal Clamps



Universal Clamp

Compel's most versatile screen mounting option, the Universal Clamp attaches to the underside of the worksurface and allows the user to customize the amount of privacy and modesty the screen provides. The Universal Clamp can be used on a freestanding workstation or at the end of a run of Pivot Benching. The Universal Clamp adjusts to fit virtually any substrate.

25% of profits from COVID-19 Rapid Response Products will be donated to Heart of West Michigan United Way Coronavirus Response Fund. Applies to shipments through 9.30.2020

Harbor Screens

Product Specifications

- > Cardboard is a highly effective surface when fighting Covid-19 as the virus decays in 24 hours ([Source](#))
- > Constructed of a heavy-duty, multi-ply, double-wall corrugated cardboard with structurally enhance skin material. Ships flat and easily assembled.
- > Quick Install. Folds into Place. No tools or fasteners required to construct screen.
- > Double-stick tape is used to secure screen to surface. Available by the roll. See Part Number CSTAPE below.
- > Includes a 1.5 x 3" perforated knockout that user may remove for cords and/or monitor arms.
- > Thickness of Harbor Screens is 1/4".
- > Recyclable after use.
- > No warranty except replacement for freight damage. No returns.
- > Custom sizes available, contact designteam@enwork.com to quote.

Ordering Information:

- > Minimum order size is 10 units.
- > Customers may combine different screen sizes to hit the reduced pricing tiers for all screens on the order.



Part Number	Description	List Price	List Price
		(US\$)	(US\$)
		Qty 10-50	Qty 51+
Harbor Cardboard Screen – 48"W			
CS2248B	Harbor Cardboard Screen, 22D x 48W x 24H, Brown	\$60	\$48
CS2848B	Harbor Cardboard Screen, 28D x 48W x 24H, Brown	\$68	\$55
Harbor Cardboard Screen – 60"W			
CS2260W	Harbor Cardboard Screen, 22D x 60W x 24H, White	\$65	\$52
CS2860W	Harbor Cardboard Screen, 28D x 60W x 24H, White	\$73	\$58
Harbor Cardboard Screen – 72"W			
CS2272W	Harbor Cardboard Screen, 22D x 72W x 24H, White	\$73	\$58
CS2872W	Harbor Cardboard Screen, 28D x 72W x 24H, White	\$80	\$64
CSTAPE	Harbor Cardboard Screen Roll of Double-Sided Tape, 216' (72 yards)	\$160	

ENWORK | Divider Screens

3 sides screen with roof + w/o roof

Acoustic

Painted MDF with Anti-microbial with Silver Nitrate Additives



DESK WRAP SCREEN

Lead time: please contact representative



PRIVACY/ MODESTY | ACRYLIC

Lead time: please contact representative



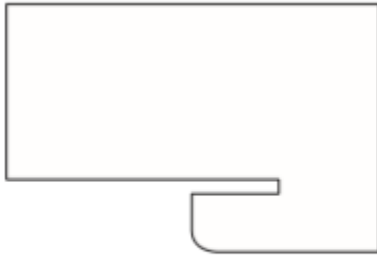
40\"/>

16\"/>

24\"/>

Multiple Benching series that offer various height privacy screens (XTB4, Ambition, eBench) plus Grid which has the widest variety of height options, almost like a panel system without the panels

Privacy Screens found on Page 218 in online pricelist



Pac-Man Universal Privacy Screens, Brackets included, 19"H x 30"D

UPM#	Laminate Pac-Man Privacy Screen	\$406
UPM2	Frosted Acrylic Pac-Man Privacy Screen	\$417

Tip: 30"D Divider covers 22" of worksurface and hangs 8" off.
13" of screen is above worksurface, 4.75" below worksurface.
Tip: Fits all 1.125" - 1.25" thick worksurfaces

3 sided screen



Back Panel Size	Side Panels	Height	Price
48"	24"	24"	\$1,325.00
36"	30"	24"	\$1,325.00

- Made from HDPE (High density polyethylene)
- Aluminum foot plates
- Available in black, white, or gray
- Easy to clean and sanitize
- Approved for both indoor & outdoor applications
- Highly durable & versatile
- Cost effective solution
- Easy to install & remove without damage to the worksurface
- Custom sizes available upon request

DEFCON 1 is our maximum defense against the spread of airborne germs. This U-shaped health guard is made from a highly durable product called HDPE. This design is an easy add-on to any office design to quickly bring your workplace up to the standards required to guard against COVID-19 and other airborne threats. When your highest priority is the health and safety of your employees & customers, DEFCON 1 is your first defense.

Industries & Markets in need of Counter Sneeze Guards

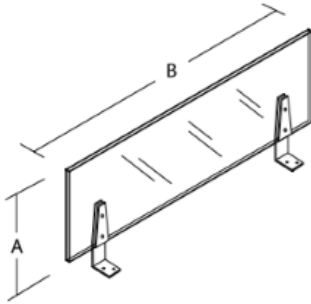
- Banking
- Hospitality
- Retail Stores
- Pharmacy
- Hospitals / Healthcare
- Government Agencies

Frosted acrylic privacy screens

Rectangular frosted (on one side) acrylic privacy screen, ¼" thick.

Installs on a work surface, credenza or certain storage unit with the provided metal supports.

Screen length allows for a 3" gap at each end but can be used on a surface longer than indicated under "D" dimension.



Dimensions				Code	Price	Spec.	
A	B	C	D		T.F.L.	Cu.Ft.	lb
15¼	72	3	78	PPOVGiA1572	448	1.0	16
15¼	66	3	72	PPOVGiA1566	434	0.9	15
15¼	60	3	66	PPOVGiA1560	418	0.9	14
15¼	54	2	60	PPOVGiA1554	361	0.8	12
15¼	48	2	54	PPOVGiA1548	341	0.8	11
15¼	42	2	48	PPOVGiA1542	313	0.6	10
15¼	36	2	42	PPOVGiA1536	298	0.5	9
15¼	30	2	36	PPOVGiA1530	284	0.4	7
15¼	24	2	30	PPOVGiA1524	268	0.4	6
15¼	18	2	24	PPOVGiA1518	253	0.3	5

Level Screen

15"H and 21"H

Can be mounted/ shared over two surfaces or installed on one

Divider Screens

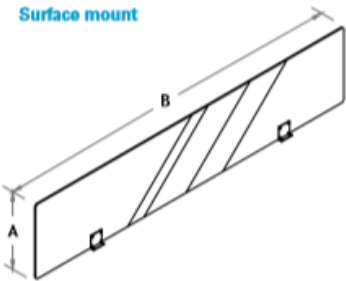
Acrylic

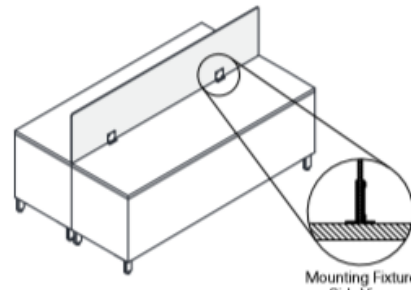
Navigation icons

Acrylic

SAS

Surface mount





Mounting Fixture Side View

Manufacturing Standards

- Acrylic divider screen, frosted finish (PL), to be installed above a surface;
- 2 chrome-finish metal mounts for mounting on a surface.

C1: Acrylic 1/4"
C2: Acrylic 3/8"
Dimension "B" is 1/2" recessed.

Prices

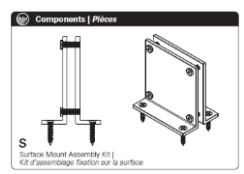
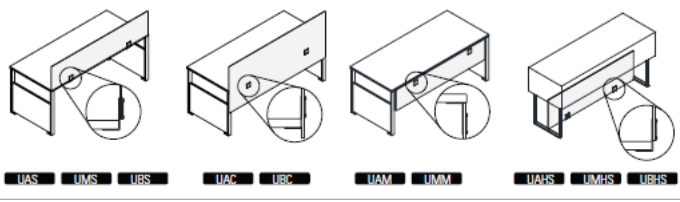
Dimensions			
A	B	C1	C2
1524	287	335	
1530	304	363	
1536	320	392	
1542	338	420	
1548	354	449	
1554	372	477	
1556	380	493	
1560	389	507	
1564	398	521	
1566	405	536	
1568	415	551	
1572	422	564	

How to Order

	A B	SAS	C1 C2	BL SN CHR (std)	PL (std)
series	dimensions	product	acrylic thickness	metal finish (Appx. A)	acrylic finish (Appx. A)
Example	LV 1572	SAS	C1	CHR	PL

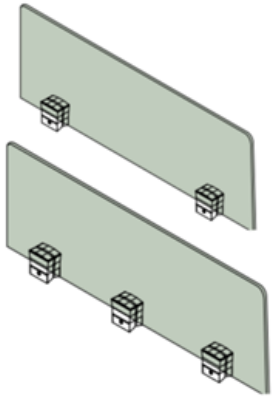
l o g i f l e x | Plexiglass Divider Screens Continued

- ◆ LIMITED LIFETIME WARRANTY
- ◆ MONOLITHIC & MINIMALIST DESIGN WITH ROUNDED EDGE
- ◆ 1/4" & 3/8" ACRYLIC AVAILABLE
- ◆ **FRAMELESS STANDARD 24 –72" WIDE | 15" 21" 24" 26" HEIGHTS AVAILABLE**
- ◆ HARDWARE AVAILABLE IN SATIN NICKEL, BLACK OR CHROME
- ◆ PERMANENT AND NON PERMANENT MOUNTING OPTIONS AVAILABLE





Desk Mount Privacy Screens - 1/4" Frosted Glass



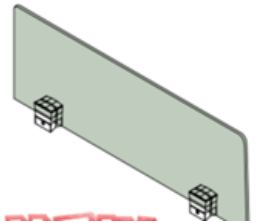
OFD-DM1246
Frosted Glass Privacy Screen for 48" Work Surface, 12"H
List \$308

OFD-DM1264
Frosted Glass Privacy Screen for 66" Work Surface, 12"H
List \$433

OFD-DM1258
Frosted Glass Privacy Screen for 60" Work Surface, 12"H
List \$388

OFD-DM1270
Frosted Glass Privacy Screen for 72" Work Surface, 12"H
List \$472

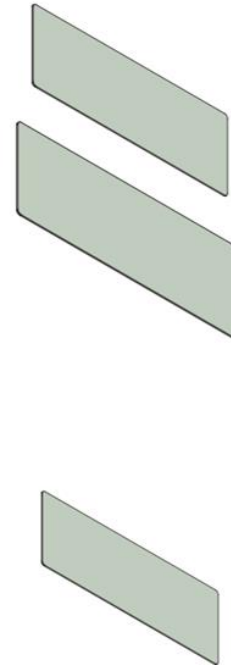
Side Mount Privacy Screens - 1/4" Frosted Glass **NEW**



OFD-DM1222
Frosted Glass Privacy Screen for 24" Work Surface, 12"H
List \$161

OFD-DM1228
Frosted Glass Privacy Screen for 30" Work Surface, 12"H
List \$173

Bench it Series | Parts



Front Mount Screens - 1/4" Frosted Glass

OFD-BI1946FG
Frosted Glass Privacy Screen for 48" Work Surface, 19"Hx46"W
List \$420

OFD-BI1964FG
Frosted Glass Privacy Screen for 66" Work Surface, 19"Hx64"W
List \$532

(2) OFD-BICLIP60 Brackets included per Screen

OFD-BI1958FG
Frosted Glass Privacy Screen for 60" Work Surface, 19"Hx58"W
List \$487

OFD-BI1970FG
Frosted Glass Privacy Screen for 72" Work Surface, 19"Hx70"W
List \$576

Side Mount - 1/4" Frosted Glass

OFD-BI1922FG
Frosted Glass Privacy Screen for 24" Work Surface, 19"Hx22"W
List \$258

(2) OFD-BICLIP30 Brackets included per Screen

OFD-BI1928FG
Frosted Glass Privacy Screen for 30" Work Surface, 19"Hx28"W
List \$292

THANK YOU!

CONTACT:

Your representative and/or info@gibsonoffice.com

<https://gibsonoffice.com/>

